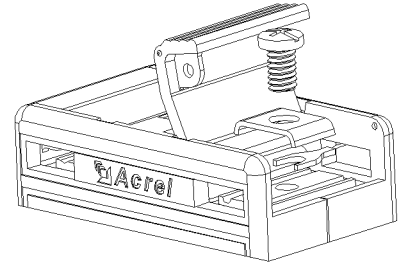


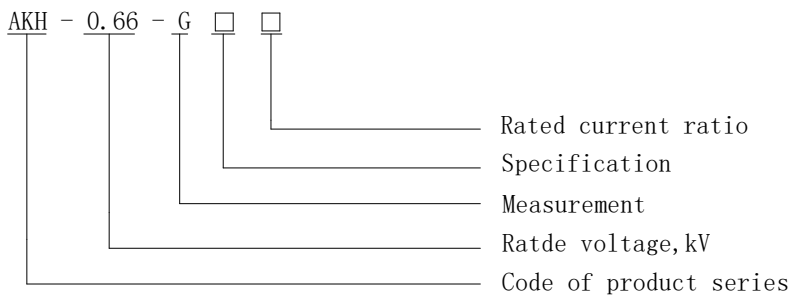
AKH-0.66-G Current transformer

1. Product feature

The appearance is nice and the wiring is convenient. The transparent polycarbonate material is selected for the flip. We can clearly see the secondary lead wiring. They are generally used with electrical measuring instruments, widely used in electrical sets.



2. Explanation for type



3. Spec. and size

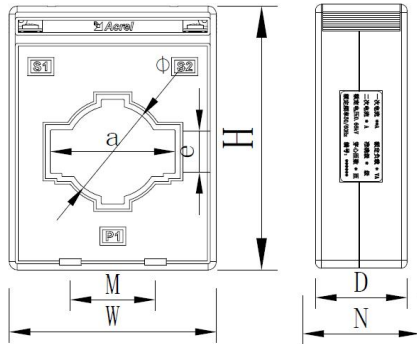


图 1

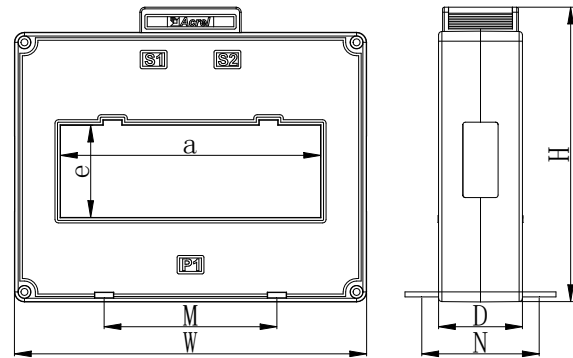





图 2

| Type | Size (mm) | | Outline size(mm) | | | Through size(mm) | | | Mounting size(mm) | | Tolerance | picture |
|-----------|-----------|-----|------------------|------|------|------------------|----|------|-------------------|----------|-----------|---------|
| | W | H | D | a | e | Φ | M | N | | | | |
| G-30I | 62 | 78 | 45 | 32 | 11 | 22 | 40 | 57.5 | ±1 | Figure 1 | | |
| G-30×30I | 85 | 102 | 50 | 32 | 11 | 28 | / | 57.5 | | | | |
| G-40I | 75 | 95 | 45 | 42 | 11 | 31 | 40 | 57.5 | | | | |
| G-60I | 102 | 130 | 45 | 61.5 | 21 | 45 | 42 | 57.5 | | | | |
| G-80I | 118 | 140 | 45 | 82 | 11 | 52 | 60 | 57.5 | | | | |
| G-40II | 78 | 103 | 45 | 43 | 31.5 | / | 48 | 57.5 | | | | |
| G-60II | 102 | 125 | 45 | 61 | 33 | / | 42 | 57.5 | | | | |
| G-60×50II | 102 | 142 | 45 | 62 | 51.5 | / | 42 | 57.5 | | | | |
| G-80II | 117 | 119 | 45 | 82 | 32 | / | 60 | 57.5 | Figure 2 | | | |

| | | | | | | | | | | |
|-------------|-----|-----|----|-----|-----|---|----------|------|--|--|
| G-80×50II | 120 | 141 | 45 | 82 | 52 | / | 60 | 57.5 | | |
| G-100II | 145 | 125 | 45 | 103 | 35 | / | 80 | 57.5 | | |
| G-100×50II | 145 | 155 | 50 | 103 | 55 | / | 80 | 70.5 | | |
| G-100×80II | 152 | 190 | 55 | 104 | 85 | / | 80 | 70.5 | | |
| G-120×50II | 174 | 168 | 48 | 122 | 53 | / | 79 | 70.5 | | |
| G-130×50II | 176 | 160 | 50 | 135 | 55 | / | 86 | 70.5 | | |
| G-150×50II | 210 | 176 | 55 | 155 | 55 | / | 103 | 70.5 | | |
| G-170×100II | 227 | 230 | 60 | 172 | 105 | / | 103 | 83 | | |
| G-180×50II | 239 | 181 | 60 | 185 | 55 | / | 40 | 83 | | |
| G-200×50II | 247 | 172 | 55 | 205 | 60 | / | 102 | 83 | | |
| G-220×50II | 280 | 190 | 60 | 225 | 55 | / | 188 | 83 | | |
| G-260×50II | 320 | 191 | 60 | 265 | 55 | / | 65/55/65 | 83 | | |

4. Cross-reference tables of spec. -parameter

| Specification | Rated current ratio | Precision degree and corresponding rated load (VA) | | | Straight-through turns | Bus spec(mm)/n number | Max. cable outer diameter (mm) | Installation |
|--|---------------------|--|------|------|------------------------|-----------------------|--------------------------------|--------------|
| | | 0.2 | 0.5S | 0.2S | | | | |
|  G-301 | 10A/5A | 2.5 | 1.5 | 1.5 | 15 | 30×10/1 | Φ22 | A、E |
| | 15A/5A | 2.5 | 1.5 | 1.5 | 10 | | | |
| | 20A/5A | 2.5 | 1.5 | 1.5 | 8 | | | |
| | 25A/5A | 2.5 | 1.5 | 1.5 | 6 | | | |
| | 30A/5A | 2.5 | 1.5 | 1.5 | 5 | | | |
| | 40A/5A | 2.5 | 1.5 | 1.5 | 4 | | | |
| | 50A/5A | 2.5 | 1.5 | 1.5 | 3 | | | |
| | 75A/5A | 2.5 | 1.5 | 1.5 | 2 | | | |
| | 100A/5A | 1.5 | 1.5 | 1.5 | 1 | | | |
| | 150A/5A | 2.5 | 1.5 | 1.5 | 1 | | | |
| | 200-300A/5A | 2.5 | 2.5 | 2.5 | 1 | | | |
| 400A/5A | 5 | 2.5 | 2.5 | 1 | | | | |
|  G-30×301 | 5/5 | 2.5 | 2.5 | 2.5 | 16 | / | Φ28 | F |
| | 10/5 | 2.5 | 2.5 | 2.5 | 8 | | | |
| | 15/5 | 2.5 | 2.5 | 2.5 | 6 | | | |
| | 20-25/5 | 2.5 | 2.5 | 2.5 | 4 | | | |
| | 30/5 | 2.5 | 2.5 | 2.5 | 3 | | | |
| | 40-75/5 | 2.5 | 2.5 | 2.5 | 2 | | | |
| | 100-150/5 | 2.5 | 2.5 | 2.5 | 1 | | | |
| | 200/5 | 5 | 5 | 2.5 | 1 | | | |
|  G-401 | 200-300/5 | 2.5 | 2.5 | 2.5 | 1 | 30×10/1 | Φ28 | E、F |
| | 350-450/5 | 2.5 | 2.5 | 2.5 | 1 | | | |
| | 500-800/5 | 5 | 5 | 5 | 1 | | | |
| G-601 | 250-400/5 | 2.5 | 2.5 | 2.5 | 1 | 60×10/1 | Φ44 | A、C |

Acrel Co.,Ltd

Tel: 0510-86179960

Address: No5 DongmenRd,Nanzha Jiangyin Jiangsu

Fax: 0510-86179835

E-mail: acrest@email.acrel.cn



| | | | | | | | | |
|---------------|-------------|-----|-----|-----|---|----------------|------|-----|
| | 450-500/5 | 5 | 2.5 | 2.5 | 1 | | | |
| | 600-800/5 | 5 | 5 | 5 | 1 | | | |
| | 1000/5 | / | 5 | 5 | 1 | | | |
| | 1200-1250/5 | / | 15 | 10 | 1 | | | |
| | 1500-2000/5 | / | 10 | 10 | 1 | | | |
| | 2500/5 | / | 20 | 20 | 1 | | | |
| G-80 I | 750-800/5 | 5 | 5 | 5 | 1 | 80×10/1 | φ 50 | A、C |
| | 1000/5 | / | 10 | 5 | 1 | | | |
| | 1500-2000/5 | / | 15 | 10 | 1 | | | |
| | 2500-3000/5 | / | 20 | 20 | 1 | | | |
| G-40 I I | 200-300/5 | 2.5 | / | / | 1 | 40×10/1-2 | / | C |
| | 350-450/5 | 2.5 | 2.5 | 2.5 | 1 | | | |
| | 500-800/5 | 5 | 5 | 5 | 1 | | | |
| G-60 I I | 250-400/5 | 2.5 | 2.5 | 2.5 | 1 | 60×10/ 1-2 | / | C |
| | 450-500/5 | 5 | 5 | 5 | 1 | | | |
| | 600-800/5 | 5 | 5 | 5 | 1 | | | |
| | 1000/5 | / | 5 | 5 | 1 | | | |
| | 1200-1250/5 | / | 15 | 10 | 1 | | | |
| | 1500-2000/5 | / | 10 | 10 | 1 | | | |
| G-60×50 I I | 1500-2000/5 | / | 10 | 10 | 1 | 60×10/ 1-3 | / | D |
| | 2500/5 | / | 20 | 20 | 1 | | | |
| G-80 I I | 750-800/5 | 5 | 5 | 5 | 1 | 80×10/ 1-2 | / | D |
| | 1000/5 | / | 5 | 5 | 1 | | | |
| | 1200-2000/5 | / | 15 | 10 | / | | | |
| | 2500-3000/5 | / | 20 | 20 | 1 | | | |
| G-80×50 I I | 1500-2000/5 | / | 10 | 10 | 1 | 80×10/ 1-3 | / | D |
| | 2500-3000/5 | / | 20 | 20 | 1 | | | |
| G-100 I I | 1000/5 | / | 5 | 5 | 1 | 100×10/ 1-2 | / | D |
| | 1200-2000/5 | / | 15 | 10 | 1 | | | |
| | 2500-4000/5 | / | 20 | 20 | 1 | | | |
| G-100×50 I I | 1500-2000/5 | / | 10 | 10 | 1 | 100×10/ 1-3 | / | D |
| | 2500-4000/5 | / | 20 | 20 | 1 | | | |
| G-100×80 I I | 1500-2000/5 | / | 10 | 10 | 1 | 100×10/ 1-4 | / | D |
| | 2500-4000/5 | / | 20 | 20 | 1 | | | |
| G-120×50 I I | 1500-2000/5 | / | 10 | 10 | 1 | 120×10/ 1-3 | / | D |
| | 2500-5000/5 | / | 20 | 20 | 1 | | | |
| G-130×50 I I | 1500-2000/5 | / | 10 | 10 | 1 | 130×10/ 1-3 | / | D |
| | 2500-5000/5 | / | 20 | 20 | 1 | | | |
| G-150×50 I I | 1500-2000/5 | / | 10 | 10 | 1 | 130×10/ 1-3 | / | D |
| | 2500-5000/5 | / | 20 | 20 | 1 | | | |
| G-170×100 I I | 2500-5000/5 | / | 20 | 20 | 1 | 170×10/ 3-6 | / | D |

Acrel Co.,Ltd

Tel: 0510-86179960

Address: No5 DongmenRd,Nanzha Jiangyin Jiangsu

Fax: 0510-86179835

E-mail: acrest@email.acrel.cn



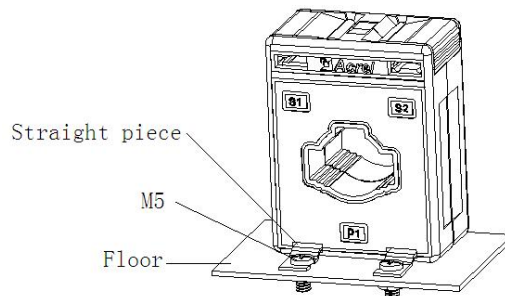
| | | | | | | | | |
|------------|-------------|---|----|----|---|----------------------------------|---|---|
| G-180×5011 | 2500-5000/5 | / | 20 | 20 | 1 | 180×10/ 1-3 | / | D |
| G-200×5011 | 2500-5000/5 | / | 20 | 20 | 1 | 200×10/ 1-3 100×10/ 4-6 | / | D |
| G-220×5011 | 2500-5000/5 | / | 20 | 20 | 1 | 200×10/ 1-3 100×10/ 4-6 | / | D |
| G-260×5011 | 2500-5000/5 | / | 20 | 20 | 1 | 250×10/ 1-3 125×10/ 4-6 | / | D |

5. Technical indicators

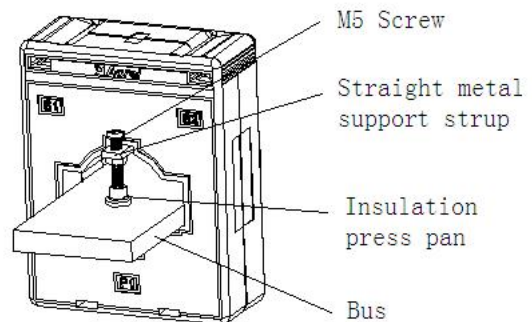
- Rated operation voltage AC 0.66kV(Equivalent AC 0.63kV,GB156-2017)
- Rated frequency 50-60Hz
- Ambient air temperature -30℃-70℃
- Height above sea level ≤3000m
- Power frequency withstand voltage 3000v/1min 50Hz
- Used in place without direct rain and snow,without severe pollution and acute shock

6. Installation

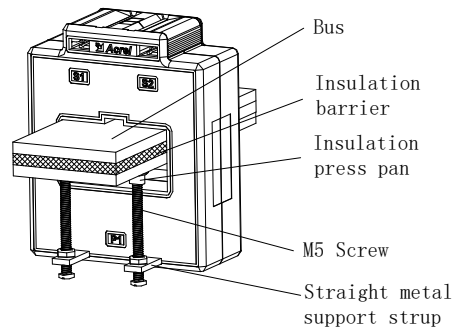
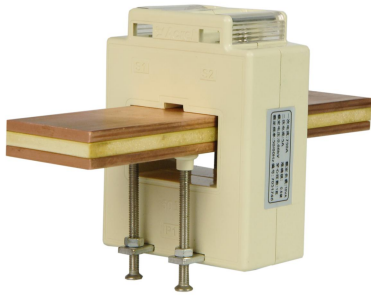
A: Fixed by straight piece



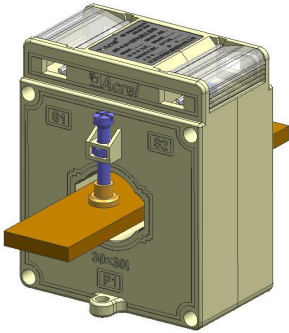
C: Fixed by straight piece



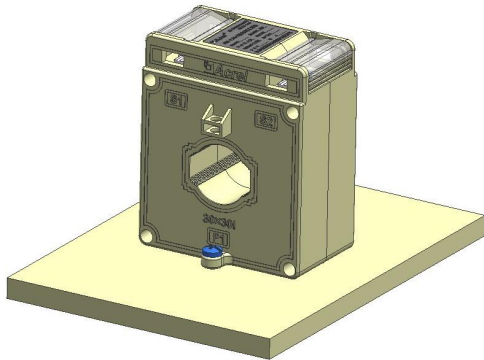
D: Fixed by straight piece



E: Fixed by straight piece



F: Fixed by straight piece



7. Design and test standards:

| No. | Name | Testing condition | Measuring instrument | Product Verification Cycle | Product testing standards |
|-----|-----------------------------------|--|---|----------------------------|---|
| 1 | Surface, Terminal mark | Temperature: 20-25°C Humidity: 50-65% | HLS-50G2 Standard Current Transformer、 | 2 Years | GB 20840.2-2014 《Current Transformer》 JJG313-2010 Verification Procedure |
| 2 | Power frequency Withstand voltage | | HES-1 Digital Transformer Verification | | |
| 3 | Insulation resistance | | FY47 Current Transformer Load Cases | | |
| 4 | Error testing | | FY49 Current Transformer Load Cases LK2673 Withstand Voltage Tester ZG25-4 Insulation Resistance Shaking Instrument | | |

Note: when the current transformer is used, the two time shall not open circuit, and the two outlet S2 needs to be grounded!